

PLEASE CHECK WWW.MOLEX.COM FOR LATEST PART INFORMATION

Part Number: [0493880310](#)
Status: **Active**
Description: 5.50mm (.216") Pitch Wire-to-Board Header, 3 Circuits, UL94V-0, Natural

Documents:

[3D Model](#) [Product Specification PS-49388-001 \(PDF\)](#)
[Packaging Specification \(PDF\)](#) [RoHS Certificate of Compliance \(PDF\)](#)
[Drawing \(PDF\)](#)

Agency Certification

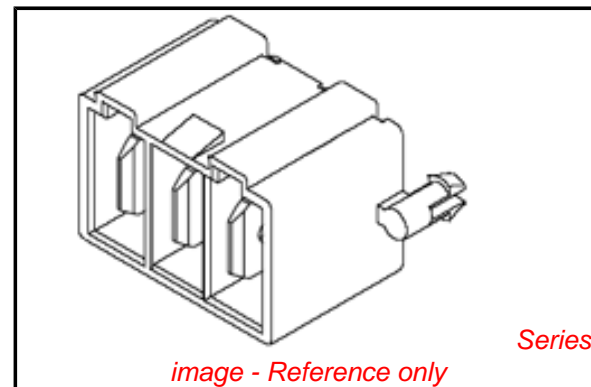
UL E29179

General

Product Family PCB Headers
 Series [49388](#)
 Application Wire-to-Board
 Product Name N/A

Physical

Breakaway No
 Circuits (Loaded) 3
 Circuits (maximum) 3
 Color - Resin Natural
 Durability (mating cycles max) 30
 First Mate / Last Break No
 Flammability 94V-0
 Glow-Wire Compliant No
 Guide to Mating Part No
 Keying to Mating Part None
 Lock to Mating Part Yes
 Material - Metal Brass
 Material - Plating Mating Tin
 Material - Plating Termination Tin
 Material - Resin Polyester Alloy
 Number of Rows 1
 Orientation Vertical
 PC Tail Length (in) 0.122 In
 PC Tail Length (mm) 3.10 mm
 PCB Locator Yes
 PCB Retention Yes
 PCB Thickness Recommended (in) 0.067 In
 PCB Thickness Recommended (mm) 1.70 mm
 Packaging Type Bag
 Pitch - Mating Interface (in) 0.217 In
 Pitch - Mating Interface (mm) 5.50 mm
 Pitch - Term. Interface (in) 0.217 In
 Pitch - Term. Interface (mm) 5.50 mm
 Plating min: Mating (µin) 40
 Plating min: Mating (µm) 1.00
 Plating min: Termination (µin) 40
 Plating min: Termination (µm) 1.00
 Polarized to Mating Part Yes
 Polarized to PCB Yes
 Shrouded Fully
 Stackable No
 Surface Mount Compatible (SMC) No



EU RoHS

**ELV and RoHS
 Compliant**
REACH SVHC
 Not Reviewed
**Halogen-Free
 Status**

China RoHS



Not Reviewed

**Need more information on product
 environmental compliance?**

Email productcompliance@molex.com
 For a multiple part number RoHS Certificate of
 Compliance, [click here](#)

Please visit the [Contact Us](#) section for any
 non-product compliance questions.

Search Parts in this Series

[49388Series](#)

Mates With

[49389039*](#) Wire-to-Board Female Housing

Temperature Range - Operating
Termination Interface: Style

N/A
Through Hole

Electrical

Current - Maximum per Contact
Voltage - Maximum

12A, 15A, 7A
250V AC (RMS)/DC

Material Info

Reference - Drawing Numbers

Product Specification
Sales Drawing

PS-49388-001
SD-49388-001

This document was generated on 04/06/2010

PLEASE CHECK WWW.MOLEX.COM FOR LATEST PART INFORMATION

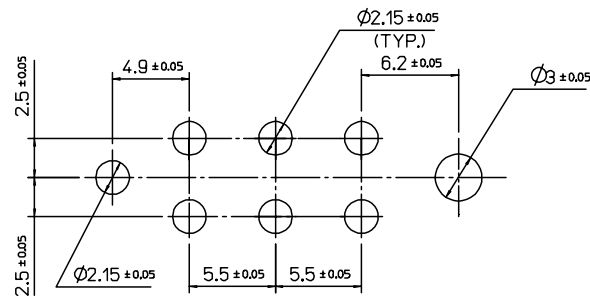
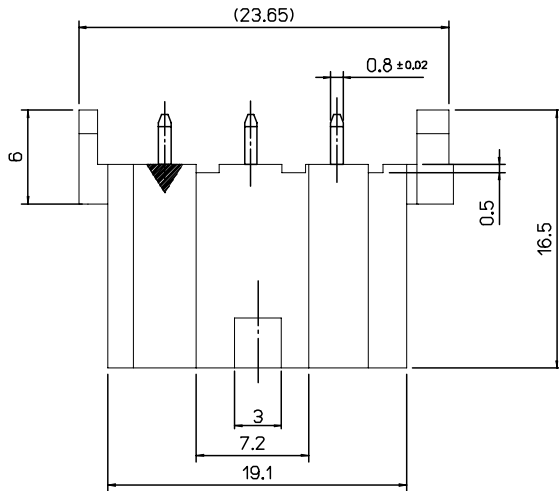
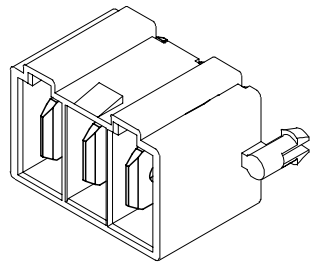
DWG. NO.
SD-49388-001

SIMILAR ITEM

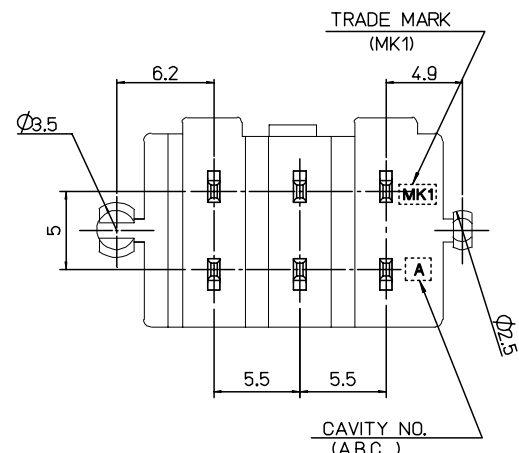
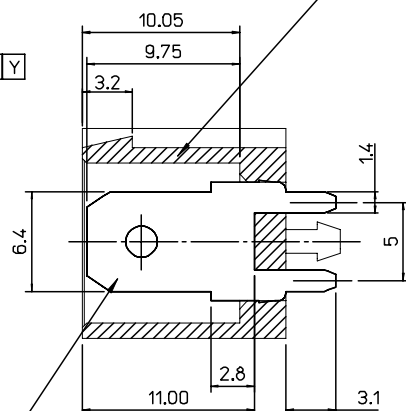
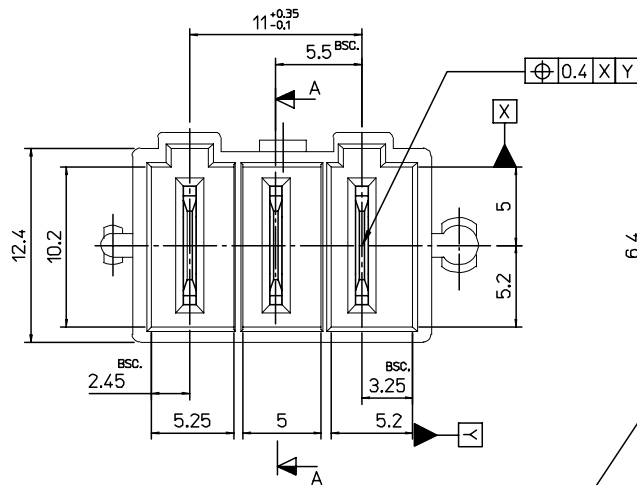
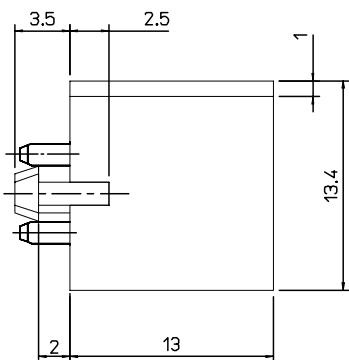
PROJECT NO.

B

DO NOT SCALE DRAWING
DIMENSION IN METRIC



PCB LAYOUT : COMPONENT SIDE
RECOMMENDED PCB THICKNESS : 1.7mm



- NOTES
- FINISH AND PART NO. :
1) 49388-0310 : NATURAL COLOR
2) 49388-0312 : RED COLOR
 - MATED HOUSING : 49389-039*

NO.	DESCRIPTION	MATERIAL & FINISH
①	WAFER-3P	PBT/PC,(UL94V-0), NATURAL,RED COLOR
②	HEADER PIN	BRASS, POST-TIN PLATED 1.0~5.0 MICRO. TIN OVER 0.3MICRO MIN. COPPER (COMPOUNDED BRIGHTER)

REVISED (ADDED COLOR)
ECN NO. KOR2008-0045
DRWN: J.B.JIN 07/08/20
CHK: W.Y.YANG
APPR: W.Y.YANG

QUALITY SYMBOLS
MAJOR
CRITICAL
DESCRIPTION
REV

GENERAL TOLERANCES:
(UNLESS SPECIFIED)

	mm	INCH
4 PLACES	±0.	±-
3 PLACES	±0.	±-
2 PLACES	±0.25	±-
1 PLACE	±0.30	±-

ANGULAR: ± °

DRAFT WHERE APPLICABLE MUST
REMAIN WITHIN DIMENSIONS

SCALE 1:1
DESIGN UNITS
 mm INCH

DRAWN BY & DATE
J.B.JIN 06/04/18

CHECKED BY & DATE
W.Y.YANG 06/04/18

APPROVED BY & DATE
W.Y.YANG 06/04/18

CAD FILENAME
S493880310aa.mi

DIMENSIONS:
 mm INCH mm ONLY

THIRD ANGLE PROJECTION

SHT REV
REVISE ON CAD ONLY

TITLE:
.250 W-t-B CONN.
HEADER ASS'Y-3P

MOLEX INCORPORATED

MATERIAL NO. SEE NOTES
DRAWING NO. SD-49388-001
SHEET NO. 1 OF 1

THIS DRAWING CONTAINS INFORMATION THAT IS PROPRIETARY TO MOLEX INCORPORATED AND SHOULD NOT BE USED WITHOUT WRITTEN PERMISSION.

SIZE B